

FOR ORDERING INFORMATION REFER TO PARTS PRICE LIST

CABINET PARTS

For Model: ATF1822MRE01
(White)

Illus. No.	Part No.	DESCRIPTION
1		Literature Parts
	2265591	Service & Wiring Sheet
	W10162920	Energy Label
	W10154917	Use & Care Guide
	628370	Modular Ice Maker Service Sheet

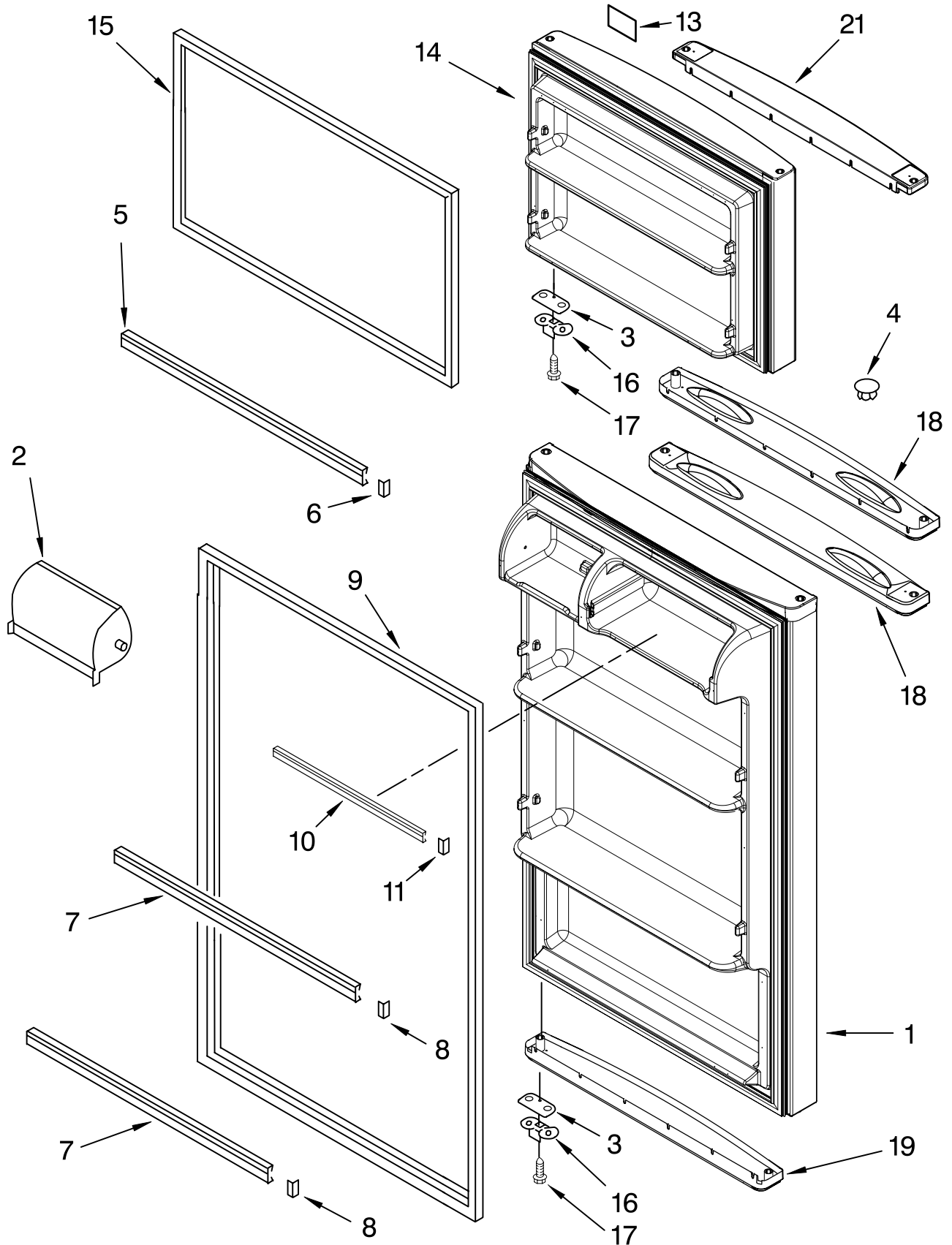
Following May Be Purchased

DO-IT-YOURSELF REPAIR MANUALS

	677969	Do-It-Yourself Manual Ref./ Frz.
2	2261963	Hinge (Top)
3	2324094	Roller-Front
4	2213360	Cover, Hinge
5		Center Rail (Not a Serviceable Part)
6		Cabinet (Not a Serviceable Part)
7	489442	Screw
8	489385	Clamp-Tube
9	2222100	Screw
10	2266389	Cover, Unit
11	2266506	Spacer-Back-CB
12	549193	Clamp-Cord
15	489497	Screw
16	2166086	Hinge, Center
17	2166043	Shim, Hinge Center
18	2221926	Hinge Butt
19	9791682	Hinge-Pin (Bottom)
20	3428970	Screw
21	2201567	Shim, Bottom Hinge
22	2174760	Fitting, Water Tube
23	2201012	Hole Plug (6)
24	1106508	Seal
25	2262176	Screw
26	2166003	Corner Filler
27	487576	Washer
29	489341	Washer
30	488296	Washer

DOOR PARTS

For Model: ATF1822MRE01
(White)



FOR ORDERING INFORMATION REFER TO PARTS PRICE LIST

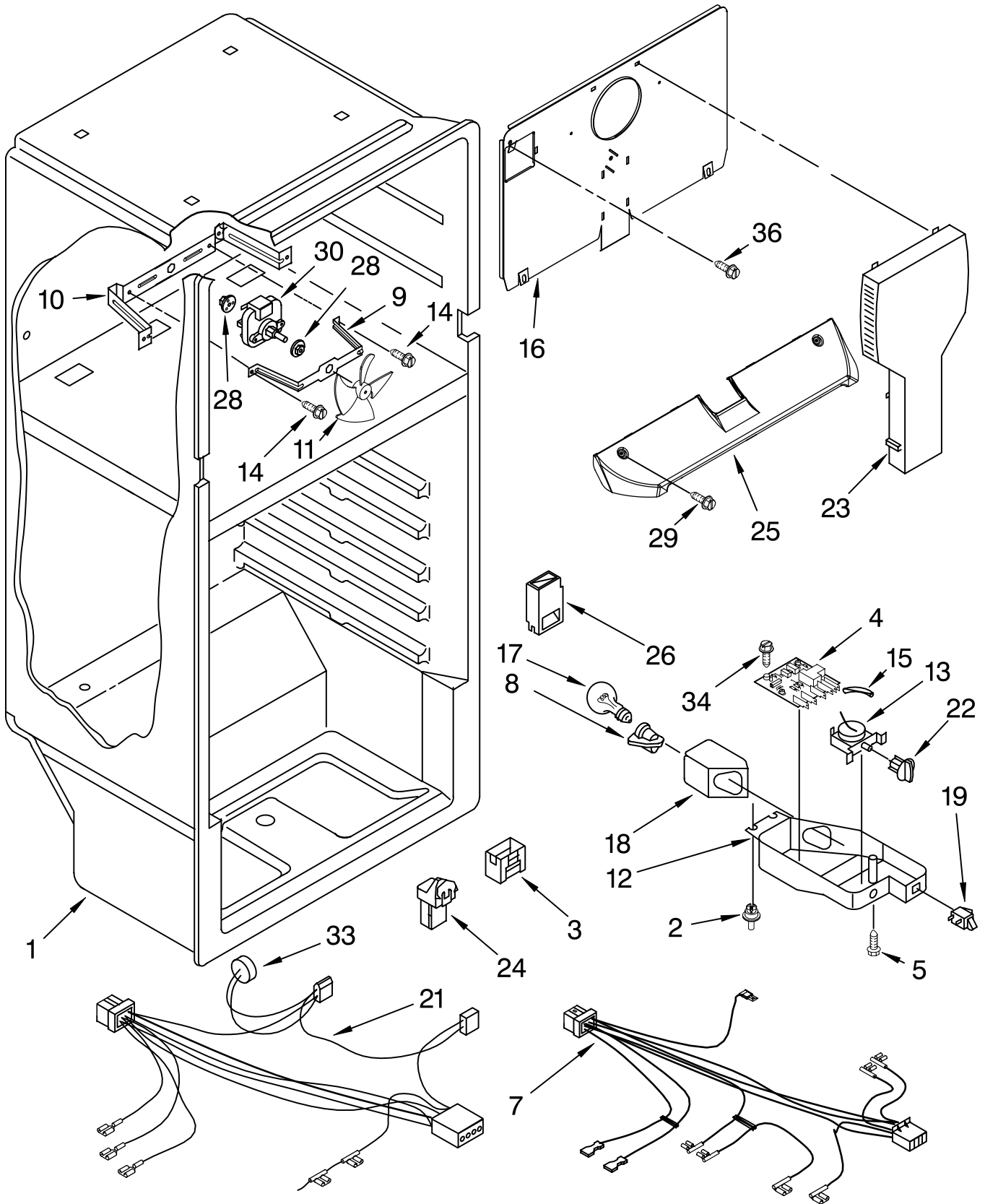
DOOR PARTS

For Model: ATF1822MRE01
(White)

Illus. No.	Part No.	DESCRIPTION
1	W10153823	Refrigerator Door (Includes Illus. 9)
2	2207942	Door Compartment
3	2258681W	Shim, Door Stop
4	2212648	Hole Plug
5	2266727	Trim, Door Shelf (Narrow)
6	2156003	Endcap, Trim
7	2266738	Trim, Door Shelf (Wide)
8	2195916	Endcap, Trim
9	2264727	Door Gasket, Magnetic
10	2266729	Trim, Door
11	2156007	Plug, Trim
13	2325418	Nameplate—Amana
14	W10162670	Freezer Door (Includes Illus. 15)
15	2264726	Door Gasket, Magnetic
16	2189202	Bracket, Door Stop
17	8533904	Screw
18	2265645W	Endcap, Handle
19	2265647W	Endcap, Bottom
21	2265644W	Endcap, Top

LINER PARTS

For Model: ATF1822MRE01
(White)



FOR ORDERING INFORMATION REFER TO PARTS PRICE LIST

LINER PARTS

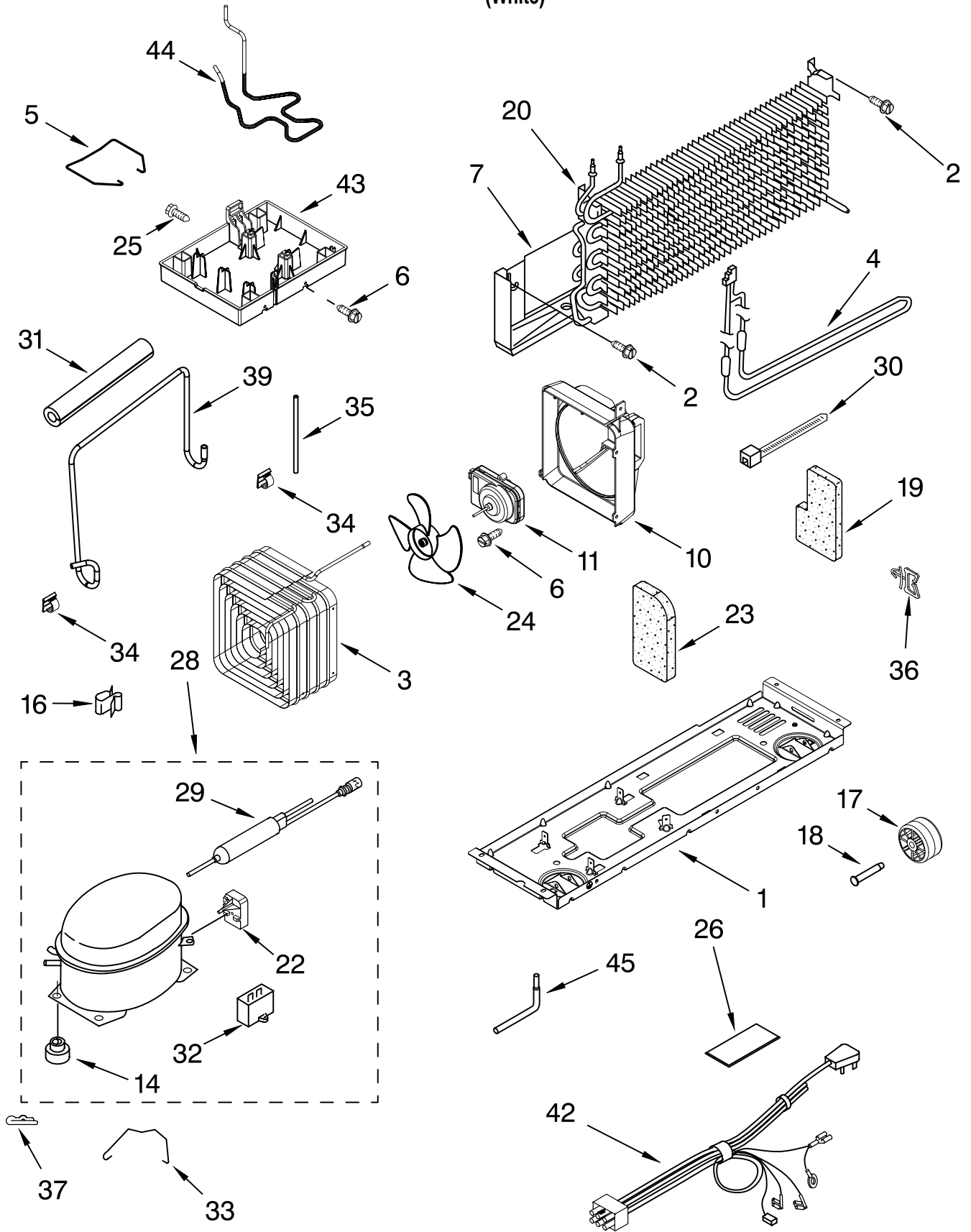
For Model: ATF1822MRE01
(White)

Illus. No.	Part No.	DESCRIPTION
1		Liner (Not A Serviceable Part)
2	939962	Rivet-Plastic
3	2183061	Cover, Air Diffuser
4	2303825	Control, Adaptive Defrost
5	489174	Screw
7	2265930	Wire Assembly Control Box
8	2162085	Socket, Light
9	2197404	Fan Support Bracket
10	2197405	Fan Mounting Bracket
11	2169142	Fan Blade
12	2263083	Control Box
13	2325701	Thermostat
14	489399	Screw
15	1118680	Thermostat Tube Barrier
16	2264669	Cover-Evaporator
17	2252970	Light Bulb
18	9791702	Light Shield
19	1118894	Rocker Arm Switch
21	2319442	Wiring-Freezer (Includes Item 33)
22	2202885	Control Knob
23	9790408	Air Tower
24	2197052	Hood And Foil Assembly
25	2261978	Cover, Air Return
26	2221992	Air Diffuser
28	2264462	Grommet-Motor
29	2262178	Screw
30	2201212	Evaporator Fan Motor
33	2266066	Defrost, BI-Metal
34	488693	Screw
36	489478	Screw

FOR ORDERING INFORMATION REFER TO PARTS PRICE LIST

UNIT PARTS

For Model: ATF1822MRE01
(White)



FOR ORDERING INFORMATION REFER TO PARTS PRICE LIST

UNIT PARTS

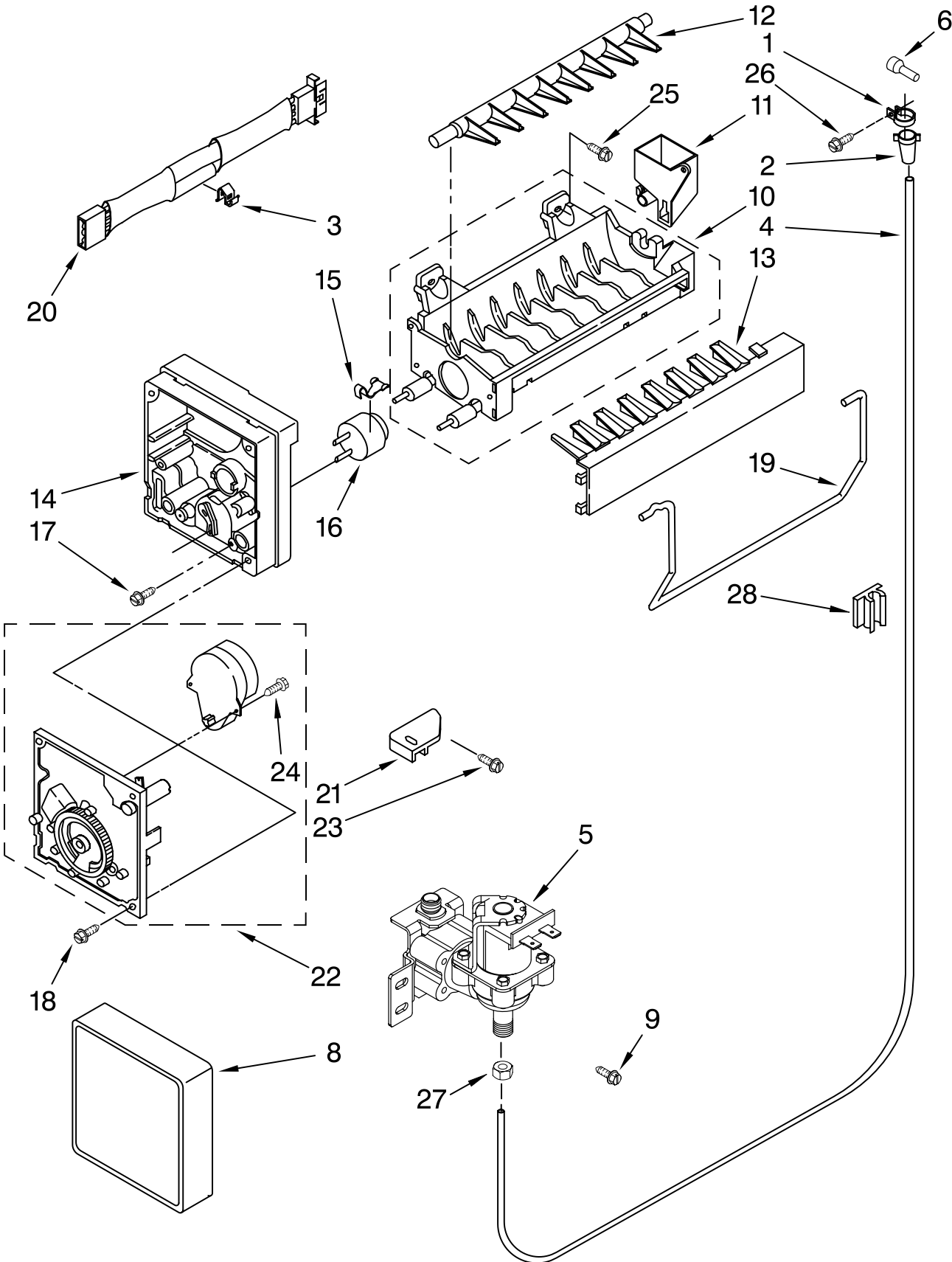
For Model: ATF1822MRE01
(White)

Illus. No.	Part No.	DESCRIPTION	Illus. No.	Part No.	DESCRIPTION	Illus. No.	Part No.	DESCRIPTION
1	W10127456	Support Plate, Compressor	26	2266360	Shield-Electrical	<hr/> Following Parts Not Illustrated and Optional Parts Not Included		
2	489442	Screw	28	W10141544	Compressor (Includes Items 14, 29 & 32) (Also Order 482801 Installation Kit & 876765 Tube Kit)			
3	W10140200	Condenser	29		Drier	978025		Valve, Access (1/4")
4	2176942	Heater, Defrost		2317845	Service	978026		Valve, Access (5/16")
5	2264835	Clip, Condenser	30	2263990	Strap	978027		Valve, Access (3/8")
6	8533859	Screw	31	2264838	Sleeve	978028		Valve, Access (1/2")
7	2319224	Heat Shield	32		Capacitator	978029		Valve, Access (5/8")
10	2263929	Air Baffle		2264017	Production	978030		Valve, Access (3/4")
11	2188875	Motor, Condenser	33	W10141545	Bale Strap	876764		Valve, Access (3/16")
14		Grommet	34	1114718	Clip, Wiring	<hr/> REFRIGERANT CHARGE		
	2222084	Production	35	2264278	Tube, Drain			
	4387558	Service	36	2266467	Clip-Harness	3.75 Ozs. (R134A)		
16	939054	Clip, Wire	37	24364001	Clip, Compressor			
17	2150304	Roller	39	W10140199	Extension, Tube-Heat			
18	2264756	Axle, Rivet	42	W10151677	Wire Assy. Unit			
19	2262191	Wedge-Evaporator	43	2263928	Evaporating Tray			
20	2263920	Evaporator Assy.	44	W10140197	Tube, Discharge (Incl. Pre-Cooler)			
22	W10128791	Start-Device Combination (Start Relay and Overload for Production Compressor Only)	45	W10140201	Tube, Process			
23	2262192	Wedge-Evaporator						
24	2264129	Fan Blade						
25	2264841	Screw						

FOR ORDERING INFORMATION REFER TO PARTS PRICE LIST

ICEMAKER PARTS

For Model: ATF1822MRE01
(White)



ICEMAKER PARTS

For Model: ATF1822MRE01
(White)

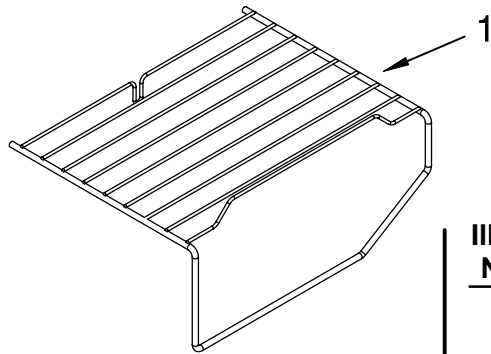
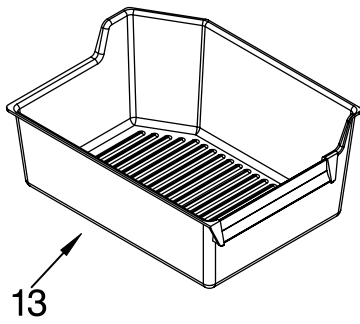
Illus. No.	Part No.	DESCRIPTION
1	488878	Clamp, Tube
2	2181939	Insert, Tube
3	628379	Clip, Fuse
4	2181944	Tube Water
5	2210494	Valve Solenoid (Single)
6	2174755	Tube-Water Inlet
8	2174157	Cover
9	489442	Screw
10	W10122527	Mold & Heater Assembly (Also Order 542638 Silicone Grease)
11	628515	Cup, Water Fill
12	627843	Ejector
13	2182124	Ice Striper
14	2194712	Support
15	2315522	Retainer Thermostat
16	627985	Thermostat (Also Order 542369 Cement Alumilastic)
17	8533917	Screw
18	489276	Screw
19	627792	Shut Off Arm
20	2187464	Harness, Wiring
21	628320	Bracket
22	626680	Module Assembly (Includes Item 24)
23	489478	Screw
24	489136	Screw, 3-24 x 23/64
25	488208	Screw
26	489442	Screw, 8-18 x 1/2
27	627018	Nut-Compression
28	2154101	Clip-Fill Tube
100	W10122496	Icemaker, Complete Assembly

FOR ORDERING INFORMATION REFER TO PARTS PRICE LIST

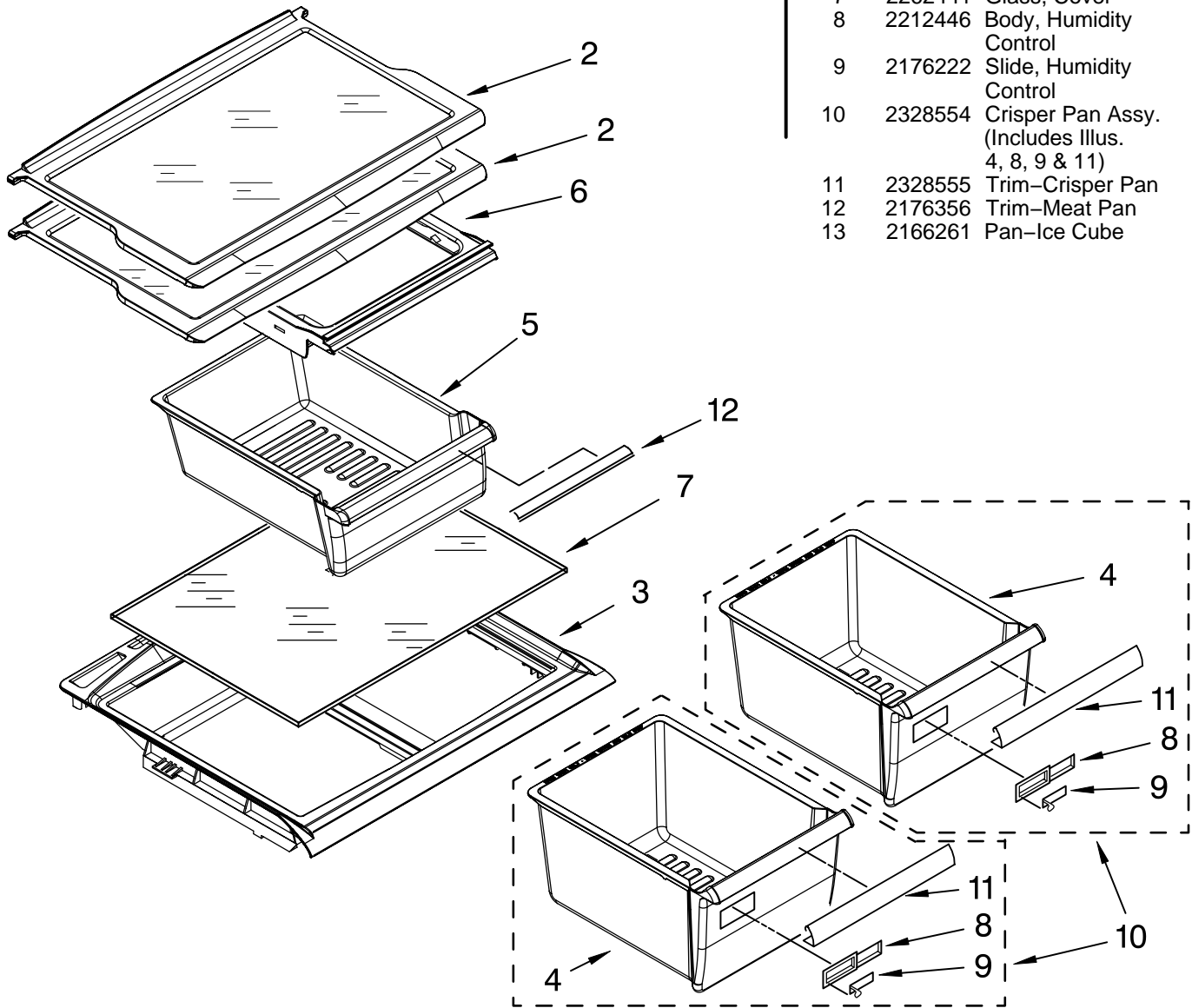
SHELF PARTS

For Model: ATF1822MRE01
(White)

FREEZER



REFRIGERATOR



Illus. No.	Part No.	DESCRIPTION
1	2262654	Shelf, Ice Tray
2	2263641	Shelf
3	2222031	Crisper Cover
4	2256704	Crisper Pan
5	2261880	Pan, Meat
6	2256601	Holder, Meat Pan
7	2262441	Glass, Cover
8	2212446	Body, Humidity Control
9	2176222	Slide, Humidity Control
10	2328554	Crisper Pan Assy. (Includes Illus. 4, 8, 9 & 11)
11	2328555	Trim-Crisper Pan
12	2176356	Trim-Meat Pan
13	2166261	Pan-Ice Cube

FOR ORDERING INFORMATION REFER TO PARTS PRICE LIST

OPTIONAL PARTS

For Model: ATF1822MRE01
(White)

Illus. No.	Part No.	DESCRIPTION
Parts Not Illustrated and Optional Parts (Not Included)		
978941		Insulation, Fiberglass (63-1/2" x 35-1/2" x 2-5/8")
212643		Sealer, Gum (4 Feet)
479502		Tape, Vinyl (3/4" x 108")
876305		Kit, Insulation (14 Pcs. 3" x 24" x 48")
876370		Kit, Insulation (2 Pcs. 3" x 24" x 48")
876029		Kit, Foam Slab (30" x 32-1/2" x 1-1/2")
505587		Sealer, Mastic (1 Qt.)
511873		Touch-Up, White Porcelain (2 Oz.)
542638		Grease, Silicone (1/2 Oz.)
542639		Cement, Alumilastic (1-1/4 Oz.)
606755		Bag, Insulation (36-5/8" x 46")
799833		Kit, Evaporator Repair (Aluminum Epoxy)
799832		Kit, Porcelain Repair (White)
503695		Cork Sealer (1/4 Pound)

Illus. No.	Part No.	DESCRIPTION
Customer Touch-Up Material		
*350942		Primer, White (12 Oz. Spray Can)
*350939		Enamel, Black (12 Oz. Spray Can)
*350930		Enamel, White (12 Oz. Spray Can)
*4392901		Enamel, Biscuit (12 Oz. Spray Can)
72017		Brush Touch-Up Kit (White)
72032		Brush Touch-Up Kit (Black)
4392899		Brush Touch-Up Kit (Biscuit)
Refinishing Material		
799344		Enamel, White (1 Qt. Uncut)
4392900		Enamel, Biscuit (1 Qt. Uncut)
799340		Enamel, Black (1 Qt. Uncut)
833938		Kit, Terminal Connector
<p>*Important: The spray paint is not to be used where the paint may make contact with the door gaskets.</p>		

Illus. No.	Part No.	DESCRIPTION
TORX SCREW WRENCH		
	1117510	Torx Key